



SERIES  
**DLK15**  
Jet Glue Gun

# KAS<sup>®</sup>



**DLK15**  
Jet Glue Gun



www.TOPGUARD.tech

## DLK15 Glue Gun

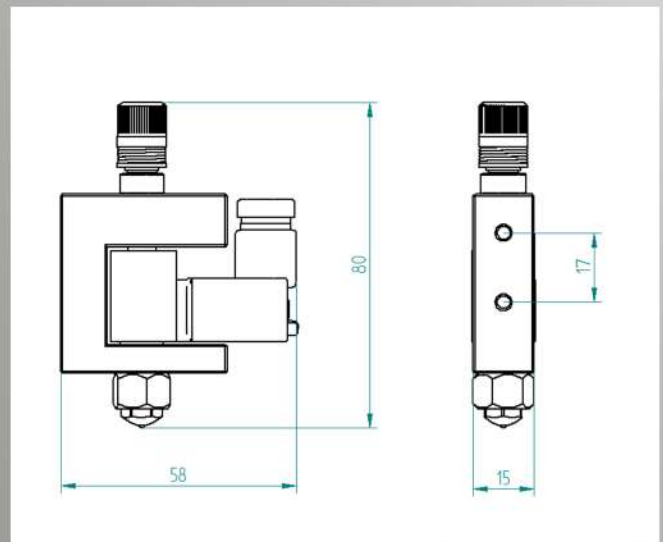
Fully electric glue gun

# Series DLK15

For applying smallest and most precise glue dots, the DLK15 glue gun is the perfect choice. The main focus while developing DLK15 was reaching highest application speed combined with best glue dot performance. DLK15 guns fit excellent on all paper converting machines. They are also perfect in use on folding machines and carton erecting machines where single and small glue dots are required. With their small modules with of only 15mm they find mounting place in all machines. Their switching cycle goes up to 1000Hz while using low viscosity glue. DLK15 glue guns might be equipped with a shutter which moves under the nozzle when machine stops and prevent the nozzle from drying. This guarantees a troublefree production work. Las guns also works upside down which makes this gun excellent for applying glue from below.




TECHNICAL DATA	DLK15	units
max. working pressure	12	bar
maximum glue viscosity	1000	mPas
optimum glue viscosity	350	mPas
temperature range	15 - 60	°C
max. relative humidity	70	%
noise emission	< 70	dBa
switching frequency	1000	Hz




# KAS<sup>®</sup>

KAS GmbH

An der Lehmkuhle 8  
37359 KUELLSTEDT

Tel. +49 36075 589390 

Tel. +49 36075 589391 

Fax +49 36075 589392

email [info@KAS-SYSTEMS.de](mailto:info@KAS-SYSTEMS.de)

web [www.KAS-SYSTEMS.de](http://www.KAS-SYSTEMS.de)

## DLK15 Glue Gun

Fully electric glue gun