

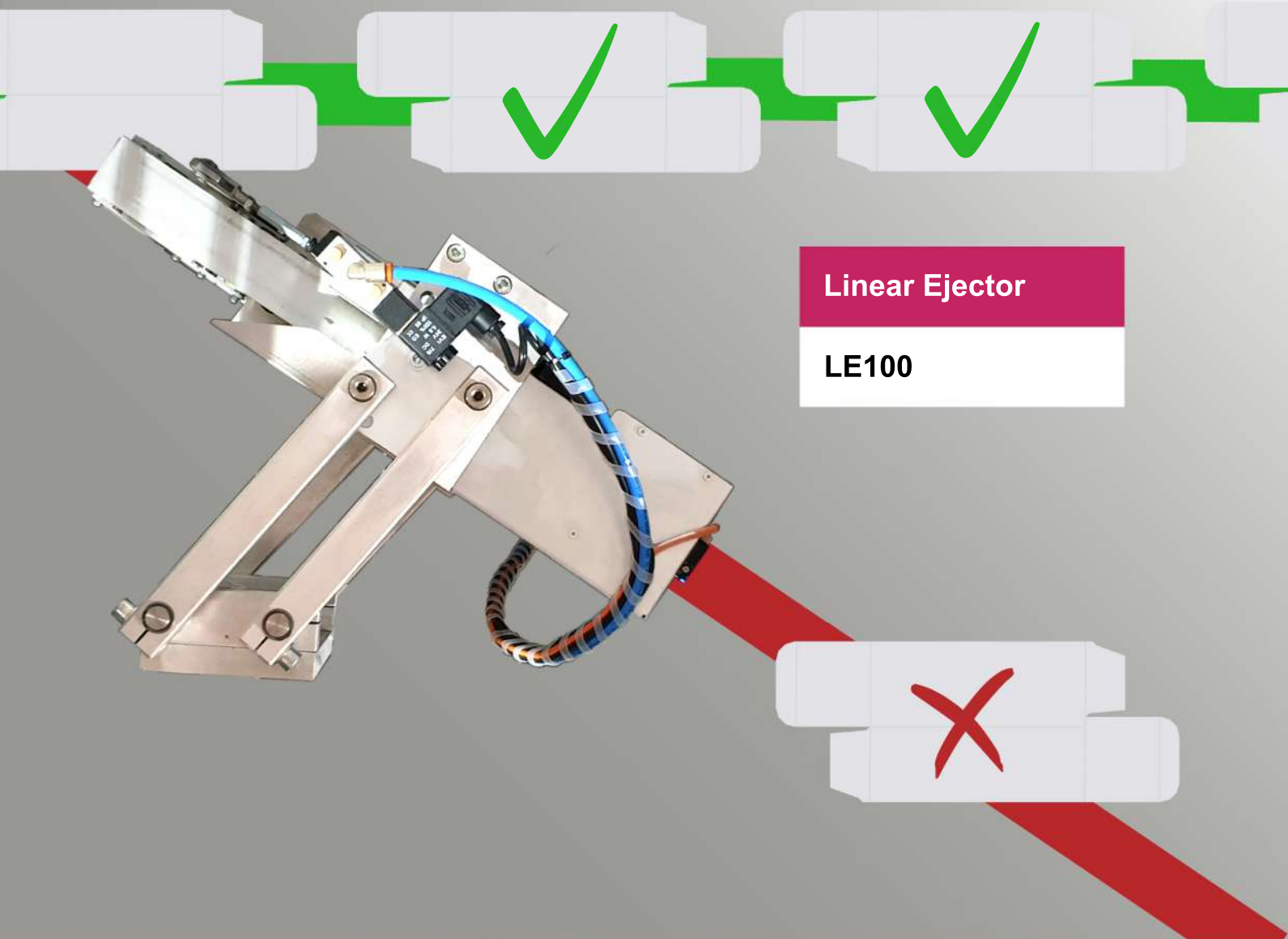


MODULE

TAE

Tracking & Ejecting

KAS[®]



Linear Ejector

LE100



www.TOPGUARD.tech

TAE Tracking & Ejecting

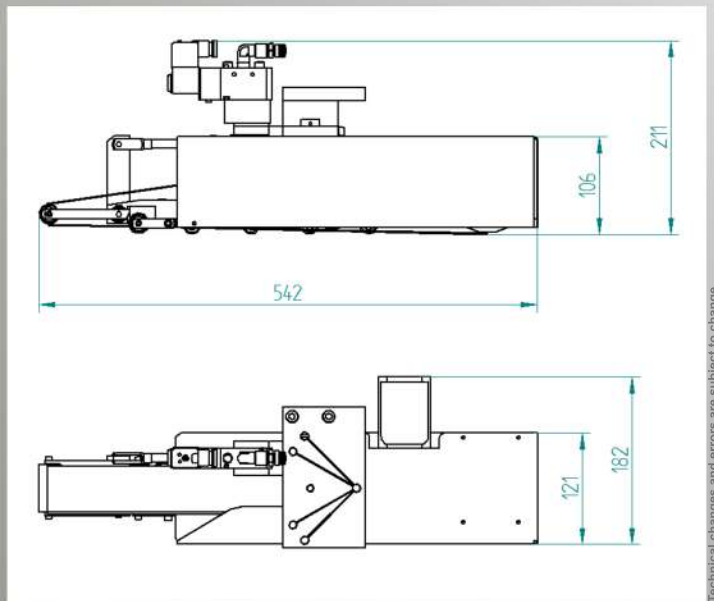
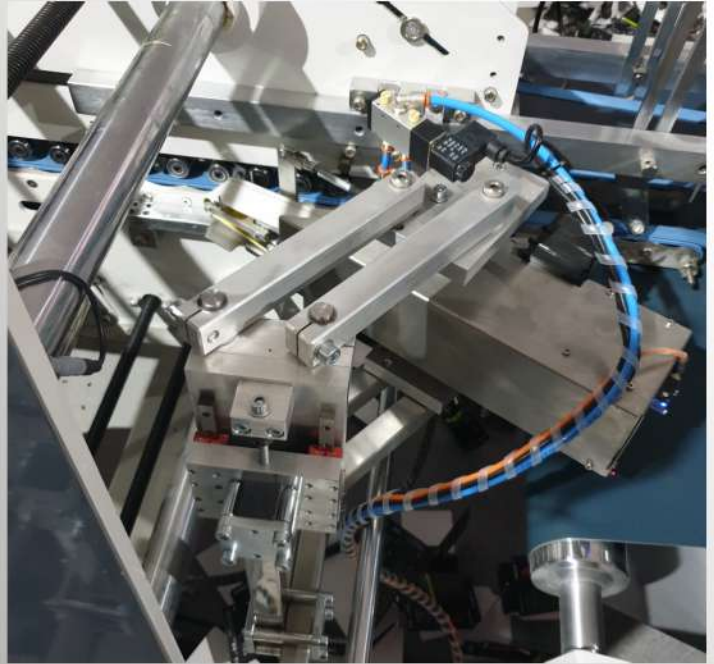
Linear ejector LE100 for ejecting faulty cartons

Tracking and Ejecting

As part of KAS quality assurance systems, the linear ejector LE100 overtakes ejecting faulty cartons. Mounted in folder-gluer's transfer section, the linear ejector LE100 ejects faulty cartons by catching them and deflect them out of production stream into a 30..45 degrees eject stream.

The advantages of linear ejector LE100 are:


- powerful catching mechanism very good suited for small and large cartons
 - smooth and linear ejecting process
 - perfect ejecting speed adaptation to machine speed
 - very good price to performance ratio
- LE100 is a very good choice for ejecting broad spectrum of cartons.




KAS[®]

KAS GmbH

An der Lehmkuhle 8
37359 KUELLSTEDT

Tel. +49 36075 589390 

Tel. +49 36075 589391 

Fax +49 36075 589392

email info@KAS-SYSTEMS.de

web www.KAS-SYSTEMS.de

TAE Tracking and Ejecting

TAE Linear